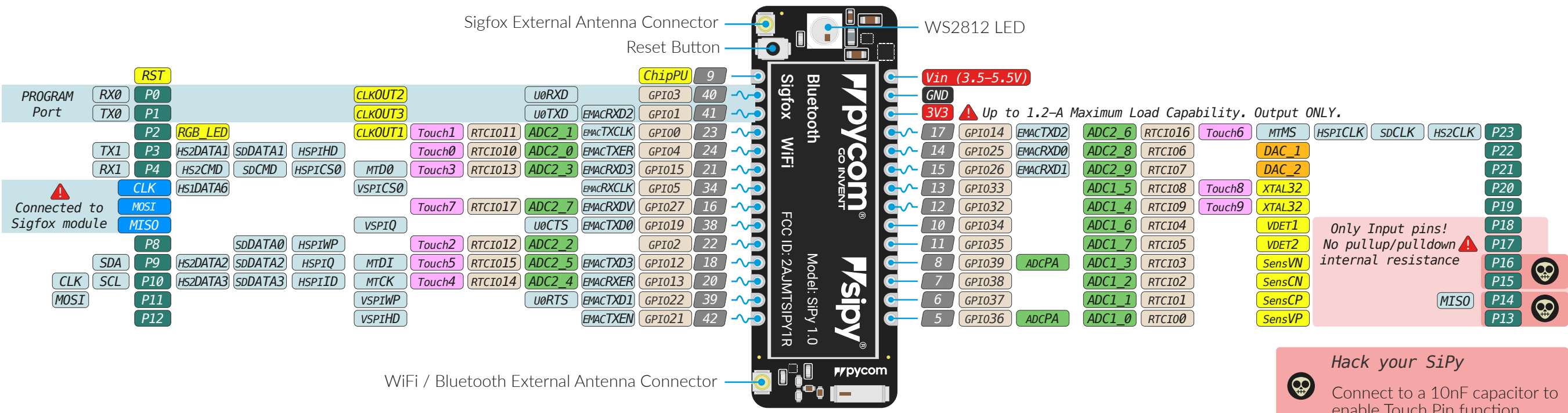


⚠ Absolute MAX per pin 12mA recommended 6mA



Only Input pins!  
No pullup/pulldown internal resistance

**Hack your SiPy**  
Connect to a 10nF capacitor to enable Touch Pin function

- Power
- GND
- Serial Pin
- Analog Pin
- Control
- Physical Pin
- Port Pin
- Touch Pin
- DAC Pin
- ~ PWM Pin

**Low Level Bootloader**  
P2 + GND

**Boot modes and safe boot**  
P12 + 3V3

1-3 sec Safe boot, latest firmware is selected  
4-6 sec Safe boot, previous user update selected  
7-9 sec Safe boot, the factory firmware is selected

